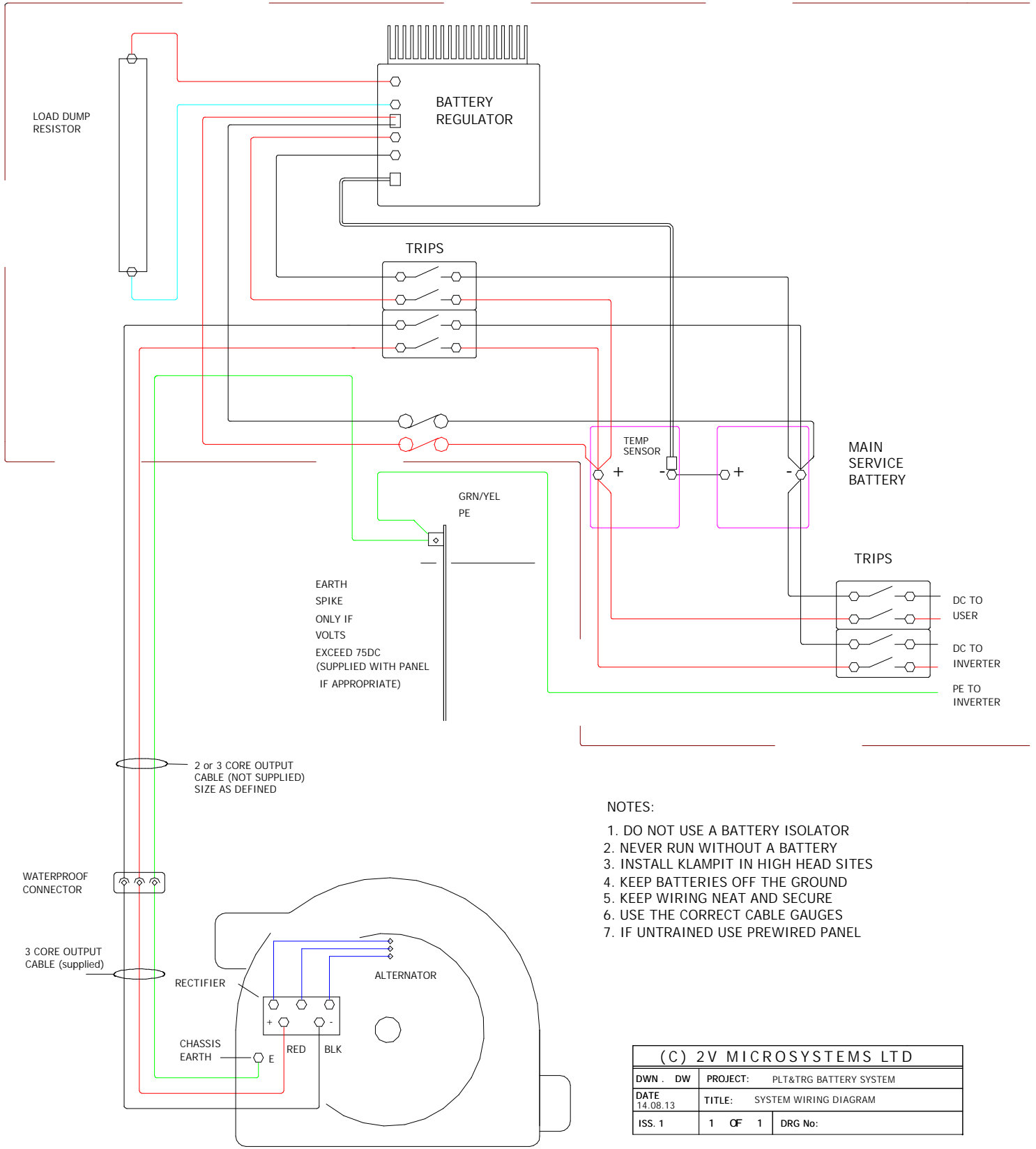


BASIC BATTERY CHARGING SYSTEM FOR TRG AND PLT ETC <30M CABLE DISTANCE TURBINE TO BATTERY

CIRCUITRY WITHIN DASHED LINES AVAILABLE AS PREWIRED PANEL (BATTERIES NOT INCLUDED)



- NOTES:**
1. DO NOT USE A BATTERY ISOLATOR
 2. NEVER RUN WITHOUT A BATTERY
 3. INSTALL KLAMPIT IN HIGH HEAD SITES
 4. KEEP BATTERIES OFF THE GROUND
 5. KEEP WIRING NEAT AND SECURE
 6. USE THE CORRECT CABLE GAUGES
 7. IF UNTRAINED USE PREWIRED PANEL

(C) 2V MICROSYSTEMS LTD			
DWN .	DW	PROJECT:	PLT&TRG BATTERY SYSTEM
DATE	14.08.13	TITLE:	SYSTEM WIRING DIAGRAM
ISS. 1	1	OF 1	DRG No:

TURBINE 1